

# SS03A

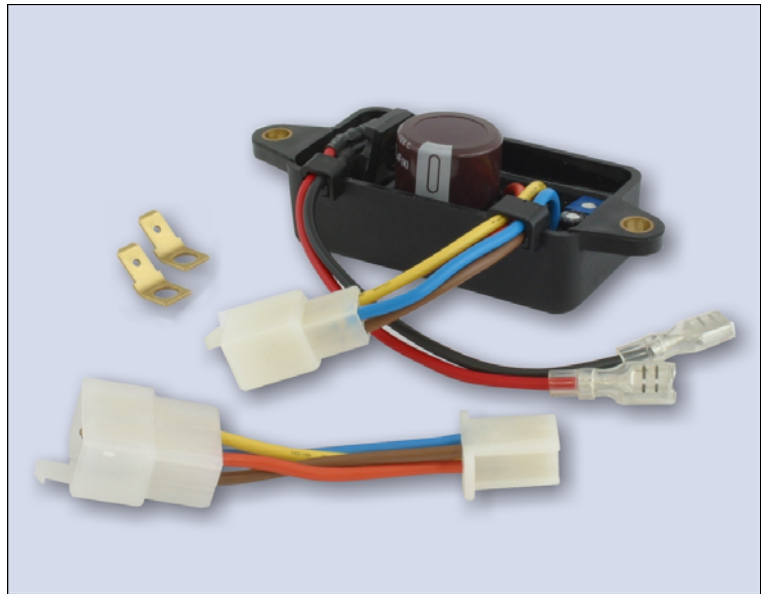
Self Excited Automatic Voltage Regulator  
Designed For Denyo\* & Gasoline  
Generators

## Features

- $< \pm 2\%$  Regulation
- For Small Generators
- Adjustable Output Voltage\*\*
- Compatible With Many Different Models by Adapter Plug
- Economical Compact Design
- Single Phase Voltage Sensing

\* For reference purpose only, not a genuine Denyo\* product

\*\* The output voltage of the original AVR is not adjustable



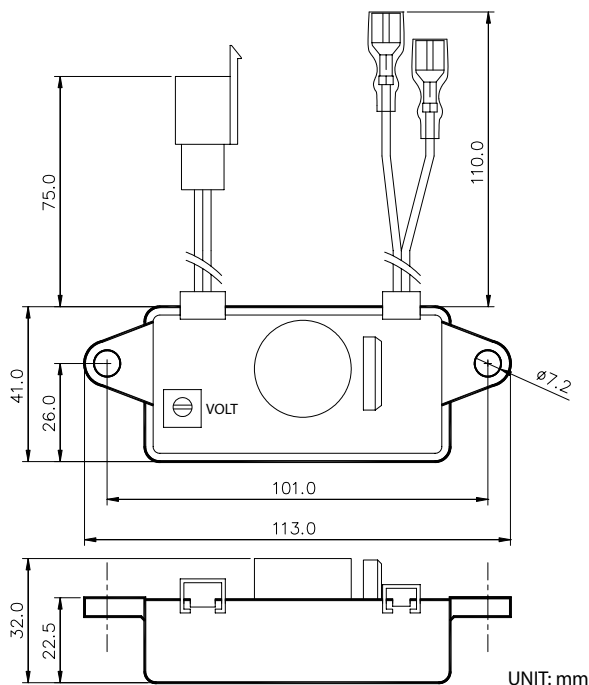
## Specifications

Sensing Input	Voltage	18 ~ 22 VAC, 1 phase 2 wire	Voltage Regulation	$< \pm 2\%$ (within 4% engine governing)
Power Input	Voltage	60 ~ 90 VAC, 1 phase 2 wire	Voltage Build Up	Residual volts at AVR terminal $> 1$ VAC
Excitation Output	Voltage	5 ~ 85 VDC	Voltage Adjust Range	110 VAC $\pm 15\%$
	Current	Continuous 3A, Intermittent 4A for 60 sec	Thermal Drift	0.05% per $^{\circ}\text{C}$ change in AVR ambient
	Resistance	Min. 25 $\Omega$		

## Environment

Vibration	1.5G @ 5 ~ 30 Hz    5.0G @ 30 ~ 500 Hz	Relative Humidity	$< 95\%$
Operating Temperature	-40 ~ 60 $^{\circ}\text{C}$	Storage Temperature	-40 ~ 85 $^{\circ}\text{C}$

## Mechanical Specifications



### Applicable Modules

Brand	Type
KUBOTA Low Boy	GL6500S
YAMAHA	EDL6500S
HONDA	EP-1800    EP-2500
KAWASAKI	GE-1400    GE-2200
	GA-2300    GA-2900
SUZUKI	SV-1400L    SV-1400LD
	SV-2200L    SV-2200LD
SAWAFUJI	SH-1800    SH-2600
MARUYAMA	ME-1800    ME-2600
ELEPAQ	PH-1800    PH-2600

### Physical Specifications

Weight	41.0 (L) x 113.0 (W) x 32.0 (H) mm
Dimensions	109 g $\pm 2\%$